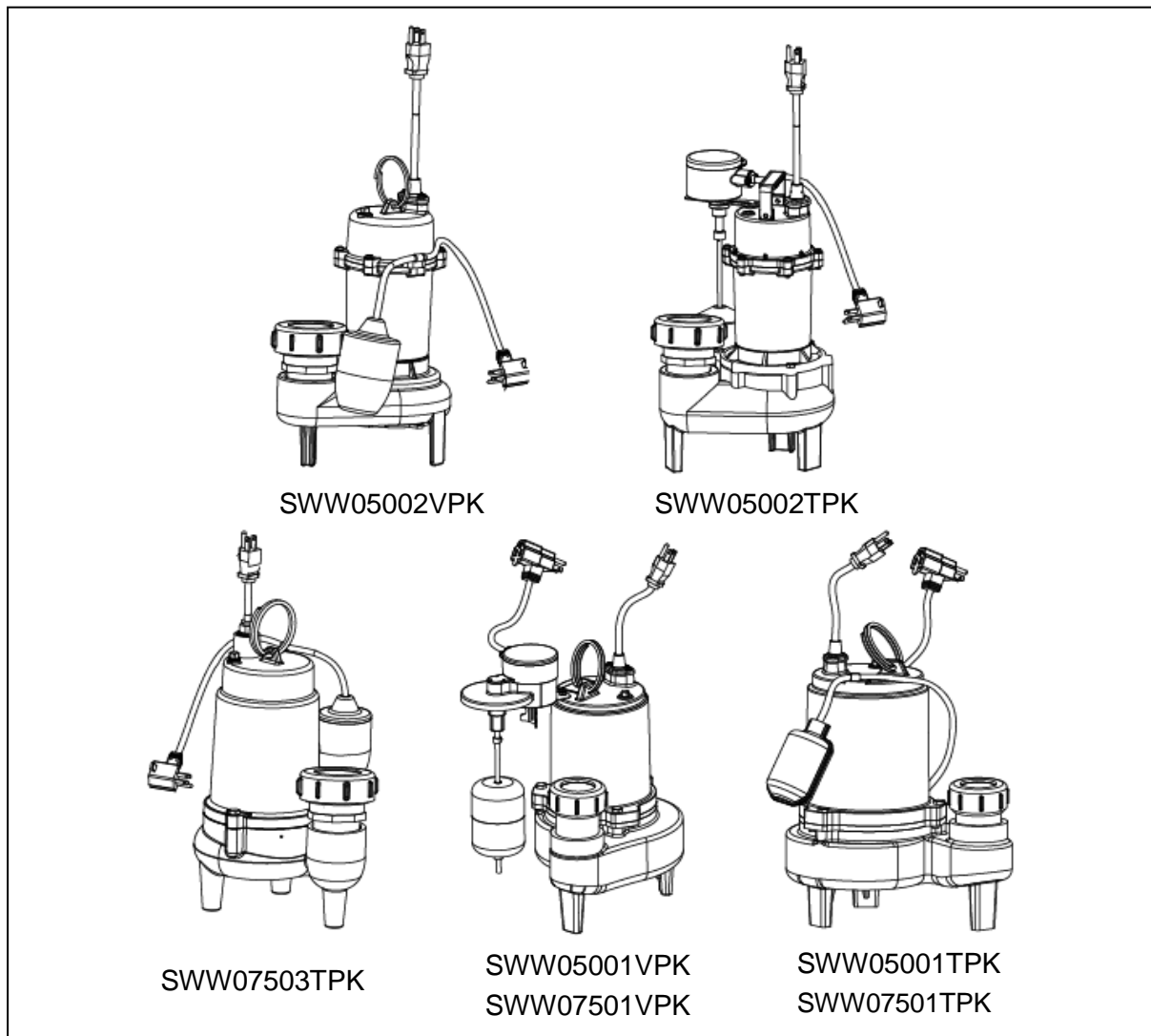




Model: SWW05002TPK/SWW05002VPK
SWW07503TPK
SWW05001TPK/SWW05001VPK
SWW07501TPK/SWW07501VPK

OWNER'S MANUAL

SUBMERSIBLE SOLIDS HANDLING PUMPS



Questions, problems, missing parts? Before returning to the store call

K2 Customer Service 8 a.m. - 6 p.m., EST, Monday-Friday

1-844-242-2475

www.K2pumps.com

PERFORMANCE

SKU	HP	GPH of Water @ Total Feet Of Lift						Max. Lift
		0 ft.	5 ft.	10 ft.	15 ft.	20 ft.	25 ft.	
SWW05002TPK SWW05002VPK	1/2	6500	5000	4200	2400			18 ft.
SWW07503TPK	3/4	8700	7500	6000	3900			20 ft.
SWW05001TPK SWW05001VPK	1/2	9000	7200	5600	4100	1800		22 ft.
SWW07501TPK SWW07501VPK	3/4	14000	10800	9600	7200	3600		23 ft.

SAFETY INSTRUCTION

1. Do not pump flammable or explosive liquids such as oil, gasoline, kerosene, ethanol, etc. Do not use in the presence of flammable or explosive vapors. Using this pump with or near flammable liquids can cause an explosion or fire, resulting in property damage, serious personal injury, and/or death.
2. ALWAYS disconnect the power to the pump before servicing.
3. Do not touch the motor housing during operation. The motor is designed to operate at high temperatures. Do not disassemble the motor housing.
4. Do not handle the pump or pump motor with wet hands or when standing on a wet or damp surface, or in water.
5. Extension cords may not deliver sufficient voltage to the pump motor. Extension cords present a life threatening safety hazard if the insulation becomes damaged or the connection ends fall into water. The use of an extension cord to power this pump is not permitted.
6. Secure the discharge line before starting the pump. An unsecured discharge line will whip, possibly causing personal injury, and/or property damage.
7. Release all pressure and drain all water from the system before servicing any component.
8. Wear safety goggles at all times when working with pumps.
9. This unit is designed only for use on 115 volts (single phase), 60 Hz, and is equipped with an approved 3-conductor cord and 3-prong grounded plug. Do not remove the ground pin under any circumstances. The 3-prong plug must be directly inserted into a properly installed and grounded 3-prong, grounding-type receptacle. Do not use this pump with a 2-prong wall outlet. Replace the 2-prong outlet with a properly grounded 3-prong receptacle (a GFCI outlet) installed in accordance with the National Electrical Code and local codes and ordinances. All wiring should be performed by a qualified electrician.
10. Protect the electrical cord from sharp objects, hot surfaces, oil, and chemicals. Avoid kinking the cord. Do not use damaged or worn cords.
11. Failure to comply with the instruction and designed operation of this unit may void the warranty. ATTEMPTING TO USE A DAMAGED PUMP can result in property damage, serious personal injury, and/or death.
12. Ensure that the electrical circuit to the pump is protected by a 15Amp for SWW05002TPK, SWW05002VPK and 20Amp for SWW07503TPK, SWW05001TPK, SWW05001VPK, SWW07501TPK, SWW07501VPK, fuse or circuit breaker.
13. Do not lift the pump by the power cord.
14. Know the pump and its applications, limitations, and potential hazards.
15. Secure the pump to a solid base. This will aid in keeping the pump in a vertical orientation. This is critical in keeping the pump operating at maximum efficiency. It will also help prevent the pump from clogging resulting in premature failure.
16. Periodically inspect the pump and system components to ensure the pump suction screen is free of mud, sand, and debris. Disconnect the pump from the power supply before inspecting.

17. Follow all local electrical and safety codes, along with the National Electrical Code (NEC). In addition, all Occupational Safety and Health Administration (OSHA) guidelines must be followed.
18. The motor of this pump has a thermal protector that will trip if the motor becomes too hot. The protector will reset itself once the motor cools down and an acceptable temperature has been reached. The pump may start unexpectedly if it is plugged in.
19. Ensure the electrical power source is adequate for the requirements of the pump.
20. This pump is made of high-strength, corrosion-resistant materials. It will provide trouble-free service for a long time when properly installed, maintained, and used. However, inadequate electrical power to the pump, dirt, or debris may cause the pump to fail. Please carefully read the manual and follow the instructions regarding common pump problems and remedies.

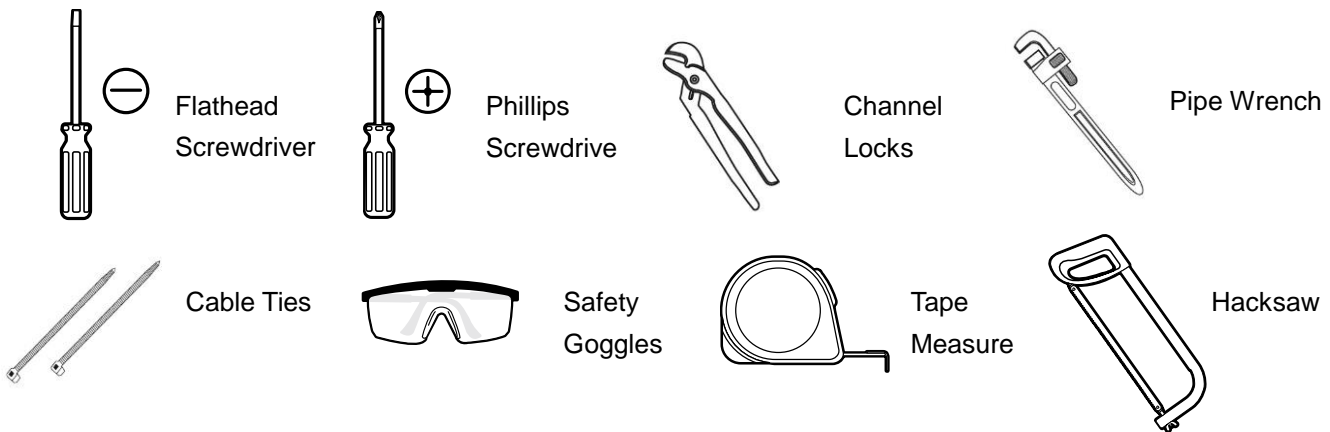
PRE-INSTALLATION

APPLICATION

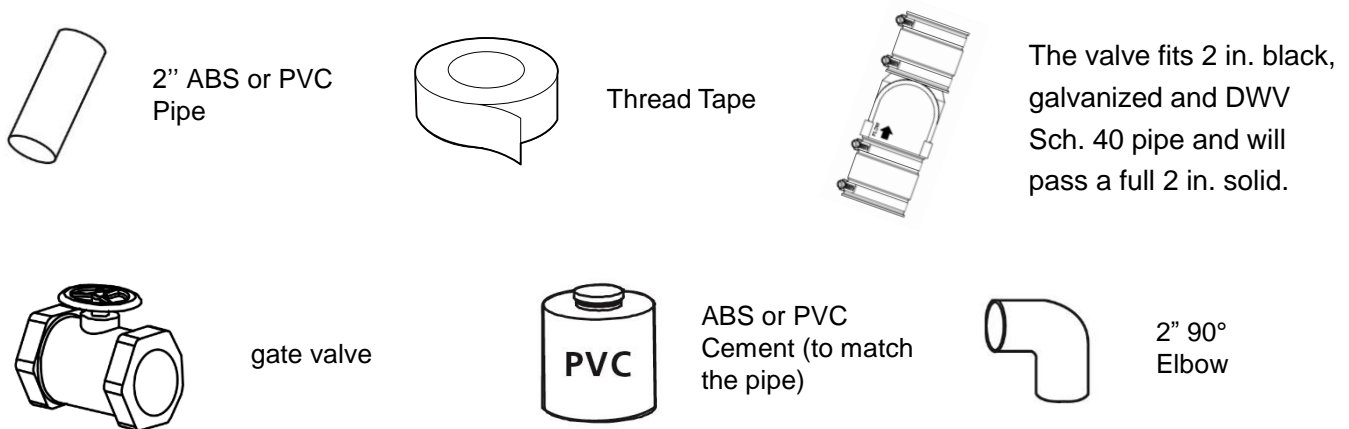
Submersible sewage pumps are designed for pumping sewage, effluent, wastewater or flooded water with up to 2 inch solids.

The pump is built with overload thermal protections and auto reset. The pump is equipped with a 10' 3-prong grounding-type power cord and piggyback-style switch for automatic or manual operation. Ball bearings on motor shafts never need lubrication.

TOOLS REQUIRED



MATERIALS REQUIRED (NOT INCLUDED)



SPECIFICATIONS

Power supply	SWW05002TPK/ SWW05002VPK:115V, 60 HZ., 15 Amp Circuit SWW07503TPK/SWW05001TPK/SWW05001VPK/SWW07501TPK/SWW07501VPK: 115V, 60 HZ., 20 Amp Circuit
Liquid temp. range	32-131°F (0-55°C)
Discharge size	2" FNPT
Sump basin	Minimum 18 in. (457 mm) diameter, 24 in. (609 mm) depth (For SWW07503TPK SWW05001VPK SWW07501VPK SWW05001TPK SWW07501TPK SWW05002TPK) Minimum 14 in. (355 mm) diameter, 18 in. (457 mm) depth (For SWW05002VPK)

NOTICE: Read this Owner's Manual for installation, operation, and safety information.

INSTALLATION

NOTICE: Install pump on a hard, level surface (cement, asphalt, etc.). Never place pump directly on earth, clay or gravel surfaces.

Piping – Sewage Applications (2" or Less Solids)

In any case, piping must not be smaller than pump discharge. When installed in a sewage system, pipe must be capable of handling semi-solids of at least 2" (5.1 cm) diameter. The rate of flow in the discharge pipe must keep any solids present in suspension in the fluid. To meet minimum flow requirements, the minimum pipe size is 2".

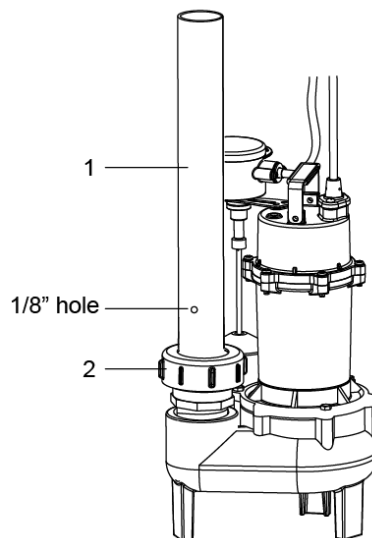
Use a 2" (5.1 cm) swing check valve in pump discharge to prevent backflow of liquid into sump basin. Check valve should be a free flow valve that will easily pass solids.

NOTICE: For best performance of check valve when handling solids, do not install it with discharge angled more than 45° above the horizontal. Do not install check valve in a vertical position as solids may settle in valve and prevent opening on start up.

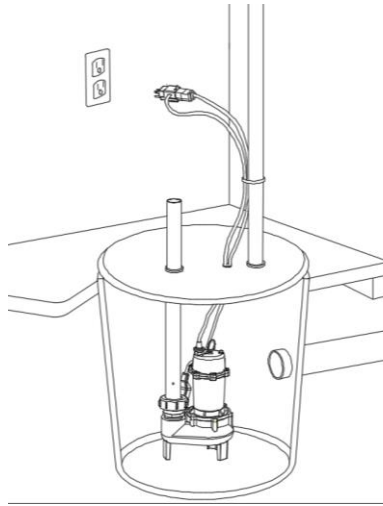
Drill a 1/8" (3.2mm) hole in discharge pipe about 1"-2" (2.5 -5.1cm) above quick connector. The hole must be in the sump.

PIPE QUICK CONNECTION:

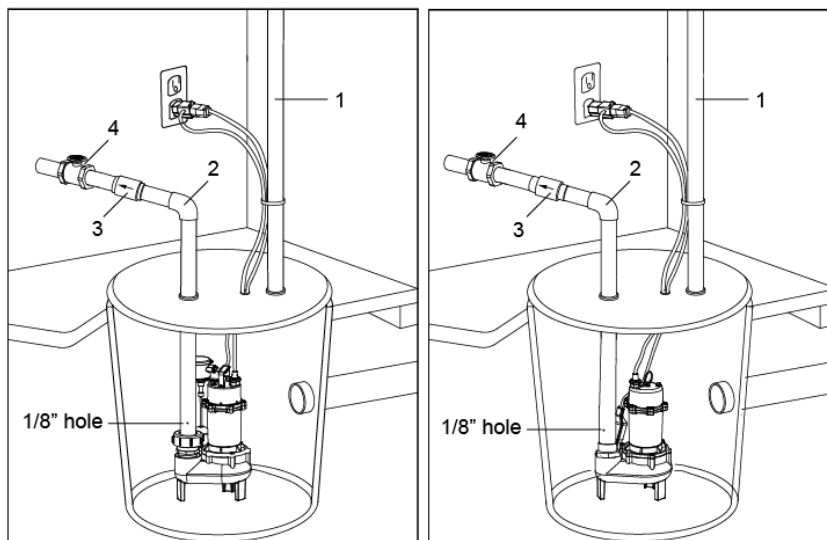
1. Insert 2in. discharge pipe (1) with vent hole into the quick connector (2).
Hand tighten the knurling nut of the quick connector as tight as possible.



2. Place pump securely to the solid surface such as a cement block in the basin.



3. Connect the discharge pipe (1) to the elbow (2), check valve (3), and gate valve (4). Plug the switch plug into a 115V GFCI power outlet.



Electrical

WARNING: Risk of electric shock. Can shock, burn or kill. When installing, operating, or servicing this pump, follow safety instructions listed below.

1. DO NOT splice the electrical power cord.
2. DO NOT allow electrical cord plug to be submerged.
3. DO NOT use extension cords. They are a fire hazard and can reduce voltage sufficiently to prevent pumping and/or damage motor.
4. DO NOT handle or service pump while it is connected to power supply.
5. DO NOT remove grounding prong from plug or modify plug to protect against electrical shock, the power cord is a three-wire conductor and includes a 3-prong grounded plug. Plug pump into a 3-wire, grounded, grounding type receptacle. Connect pump according to electrical codes that apply.

For automatic operation, plug or wire pump into the automatic float switch. Pump will run continuously when plugged directly into an electrical outlet. Connect or wire pump to an individual branch circuit with no other outlets or equipment in the circuit.

Size fuses or circuit breakers according to chart below.

Fuse Data

MODEL	HP	Voltage	Individual Branch Circuit Required (Amps)
SWW05002TPK/SWW05002VPK	1/2	115	15
SWW07503TPK	3/4	115	20
SWW05001TPK/SWW05001VPK	1/2	115	20
SWW07501TPK/SWW07501VPK	3/4	115	20

OPERATION

WARNING: Do not handle this pump or plug in or unplug this pump with wet hands or while standing in water, unless you are certain all power has been turned off to the pump. Remember, the pump should be connected only to a properly grounded, GFCI outlet.

1. Make certain the pump is submerged in water. Running the pump dry can damage the shaft seal.
2. Plug the pump power cord plug into the back of the float switch cord's plug. Plug the float switch cord plug into a 115V GFCI power outlet.
3. After connecting power to the pump, test the pump:
 - a. Fill the basin to above the float switch operation ON Height. The pump should start pumping.
 - b. The pump should pump the water down to below its float switch operation OFF Height and then stop pumping.
 - c. If the water drains back into the basin and restarts the pump, make sure the check valve is properly installed and working. Also make sure that all pipe connections are tight.
4. The motor is equipped with an automatically resetting thermal overload protector. If the motor gets too hot, the overload protector will shut off the pump before it is damaged. When the motor has cooled sufficiently, the overload protector will reset, and the motor will restart.

NOTICE: If the overload protector stops the pump repeatedly, disconnect the power from the pump and check to find the problem. Low voltage, a long extension cord, clogged impeller, screen blocked by debris, or water that is too hot can cause motor overheating.

CARE AND CLEANING

CAUTION: Always use the handle to lift the pump. Never use the power cord to lift the pump. To avoid skin burns, unplug the pump and allow time for it to cool after periods of extended use.

Do

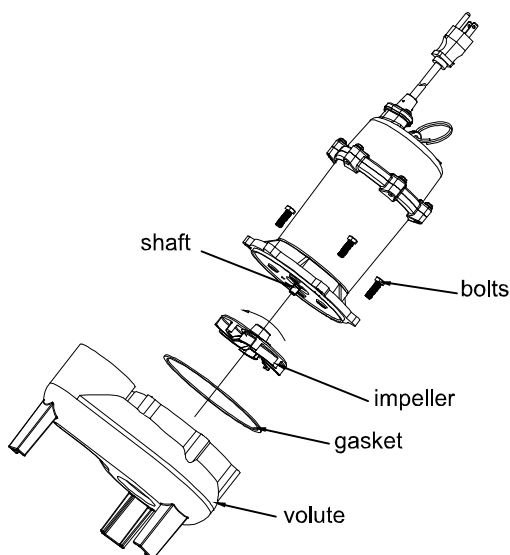
- When the power is disconnected, inspect the pump suction screen and remove all debris, then plug the pump back into the grounded (GFCI) outlet.

Do Not

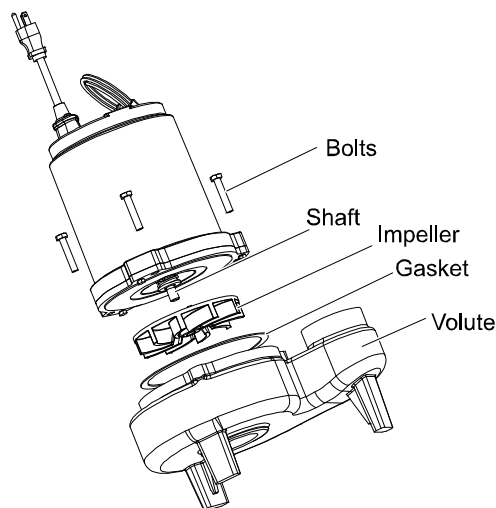
- Do not disassemble the motor housing. This motor has NO repairable internal parts, and disassembly may cause leakage or dangerous electrical wiring issues.
- Do not lift up the pump by the power cord.

**For SWW05002TPK, SWW05002VPK, SWW05001VPK, SWW07501VPK,
SWW05001TPK, SWW07501TPK**

- Before removing pump from basin for service, always disconnect electrical power to pump and control switch.
- Submerge pump in a disinfectant solution (bleach) for at least one hour before disassembling pump.
- Unscrew the bolts, and remove the volute/gasket.
- Use a flathead screwdriver to hold the shaft, then turn the impeller counter clockwise to release the impeller.
- Remove debris from around the shaft and on/under the impeller.
- Reassemble the pump.



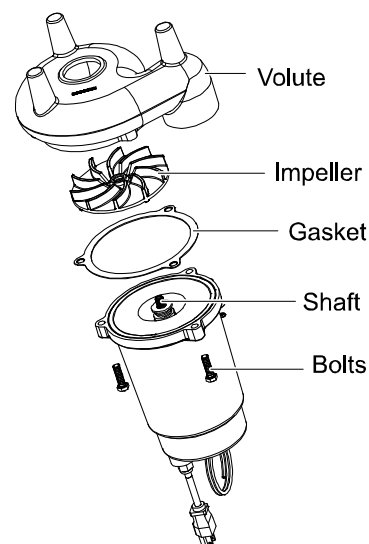
SWW05002TPK/ SWW05002VPK



SWW05001TPK/SWW05001VPK/SWW07501TPK/SWW07501VPK

For SWW07503TPK

- Before removing pump from basin for service, always disconnect electrical power to pump and control switch.
- Submerge pump in a disinfectant solution (bleach) for at least one hour before disassembling pump.
- Put the pump upside down.
 - Note:** Pump is oil filled, don't incline the pump to void the oil leakage.
- Unscrew the stainless screws, and remove the volute/gasket.
- Use a flathead screwdriver to hold the shaft, then turn the impeller counterclockwise to release the impeller.
- Remove debris from around the shaft and on/under the impeller.
- Reassemble the pump.



TROUBLESHOOTING

Do not disassemble the motor housing. This motor has NO repairable internal parts, and disassembly may cause an oil leak or dangerous electrical wiring issues. DO NOT lift up the pump by power cord.

Problem	Solution
The pump fails to operate.	<ol style="list-style-type: none">1. Check to be sure that the power cord is securely plugged into an outlet.2. Check to be sure you have electrical power.3. Check that liquid fluid levels are high enough to activate the switch.4. Check to be sure that a 1/8 in. (3.2mm) vent hole in the discharge pipe is not plugged.5. Check for blockage in the pump inlet, impeller, check valve or discharge pipe.6. Thermal overload may have tripped. Disconnect from the power source for 30 minutes to allow the motor to cool, then reconnect to the power source. Check for cause of overheating/overloading.
The pump fails to empty sump.	<ol style="list-style-type: none">1. Be sure all valves in the discharge are fully open.2. Clean out the discharge pipe and check valves.3. Check for blockage in the pump inlet or impeller.
The pump will not shut off.	<ol style="list-style-type: none">1. Check the switch floats for proper operation and location.2. If the pump is completely inoperative or continues to malfunction, call customer service.

WARRANTY

Limited Warranty

WHAT THIS WARRANTY COVERS

When used and maintained in normal use and in accordance with the Owner's Manual, your K2 product is warranted against original defects in material and workmanship for at least one year (warranty varies depending on model; see box for specific warranty information) from the date of purchase (the "Warranty Period"). During the Warranty Period, K2 will repair or replace at no cost to you, to correct any such defect in products found upon examination by K2 to be defective in materials or workmanship.

Your dated receipt of purchase is required to make a warranty claim.

WHAT THIS WARRANTY DOES NOT COVER

This Warranty does not cover:

Use of the product in a non-residential application, improper installation and/or maintenance of the product, damage due to misuse, acts of God, vandalism or other acts beyond control of K2, owner's acts or omissions, use outside the country in which the product was initially purchased and resale of the product by the original owner. This warranty does not cover pick up, delivery, transportation or house calls. However, if you mail your product to a K2 Sales and Service Center for warranty service, cost of shipping will be paid one way. This warranty does not apply to products purchased outside of the United States, including its territories and possessions, outside of U.S. Military Exchange and outside of Canada. This warranty does not cover products purchased from a party that is not an authorized retailer, dealer or distributor of K2 products.

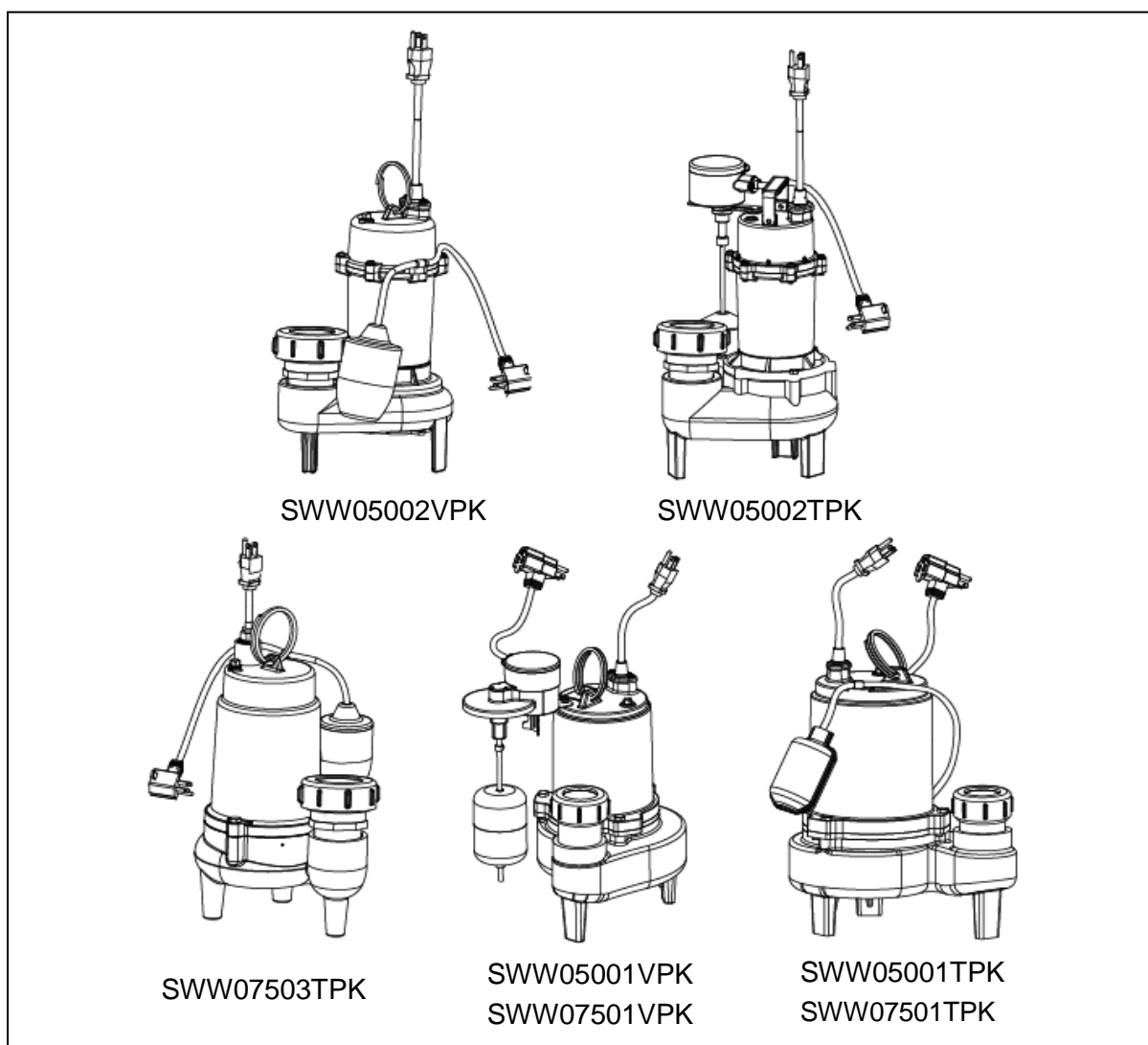
OTHER IMPORTANT TERMS

This warranty is not transferable and may not be assigned. This Warranty shall be governed and construed under laws of the state of Michigan. The Warranty Period will not be extended by any replacement or repair performed under this Warranty. THIS WARRANTY IS THE EXCLUSIVE WARRANTY AND REMEDY PROVIDED BY K2. ALL OTHER WARRANTIES, EXPRESSED OR IMPLIED, INCLUDING WARRANTIES OR MERCHANTABILITY OR FITNESS FOR PARTICULAR PURPOSE, ARE DISCLAIMED. IN NO EVENT WILL K2 BE LIABLE FOR ANY SPECIAL, INDIRECT, INCIDENTAL OR CONSEQUENTIAL DAMAGES OF ANY KIND OR NATURE TO OWNER OR ANY PARTY CLAIMING THROUGH OWNER WHETHER BASED IN CONTRACT, NEGLIGENCE, TORT, OR STRICT PRODUCTS LIABILITY OR ARISING FROM ANY CAUSE WHATSOEVER. Some states do not allow for the exclusion of consequential damages, so the above exclusion may not apply to you. This warranty gives you **specific** rights. You may also have others that vary from state to state.

Thank you for choosing a K2 product!

NOTICE D'UTILISATION

POMPES DE MANUTENTION SOLIDES ET SUBMERSIBLES



Questions, problèmes, pièces manquantes ? Avant de retourner au magasin, appelezle Service à la clientèle K2 du lundi au vendredi, de 8 h à 18 h, heure normale de l'Est

1-844-242-2475

www.K2pumps.com

PERFORMANCE

Modèle	CV	Débit d'eau en gal/h selon la hauteur d'aspiration					Hauteur maximale
		0 pi.	5 pi.	10 pi.	15 pi.	20 pi.	
SWW05002TPK SWW05002VPK	1/2	6500	5000	4200	2400	/	18 pi.
SWW07503TPK	3/4	8700	7500	6000	3900	0	20 pi.
SWW05001TPK SWW05001VPK	1/2	9000	7320	5400	2700	0	20 pi.
SWW07501TPK SWW07501VPK	3/4	14000	11700	9600	6600	3900	23 pi.

Consignes de sécurité

1. Ne pas pomper de liquides inflammables ou explosifs comme de l'huile, de l'essence, du kérosène, de l'éthanol, etc. Ne pas utiliser dans des lieux qui contiennent des vapeurs inflammables ou explosives. Le fonctionnement de cette pompe avec ou près de liquides inflammables peut provoquer une explosion ou un incendie, entraînant des dommages matériels, des blessures graves ou même la mort.
2. TOUJOURS débrancher la pompe avant de procéder à l'entretien.
3. Ne pas toucher le boîtier du moteur lorsqu'il fonctionne. Le moteur est conçu pour fonctionner à des températures élevées. Ne pas démonter le boîtier du moteur.
4. Ne pas manipuler la pompe ni le moteur de la pompe lorsque vous avez les mains mouillées ou les pieds dans l'eau ou dans un endroit humide ou détrempe sans couper l'alimentation électrique.
5. Les rallonges électriques n'acheminent pas toujours une tension suffisante au moteur de la pompe. Les rallonges électriques présentent un risque très grave pour la vie et la sécurité si l'isolant devient effiloché ou si l'extrémité devient mouillée. Il est interdit d'utiliser une rallonge électrique pour faire fonctionner cette pompe.
6. Raccorder le conduit de vidange avant de démarrer la pompe. Un conduit de vidange non arrimé peut se libérer, et entraîner des blessures corporelles et / ou des dommages matériels.
7. Relâcher toute la pression restante et vider toute l'eau de l'appareil avant de procéder à l'entretien de la pompe.
8. Toujours porter des lunettes de sécurité lorsque vous travaillez avec une pompe.
9. Cet appareil est conçu uniquement pour un courant de 115 V (monophasé, 60 Hz), et muni d'un cordon d'alimentation approuvé de 3 conducteurs avec mise à la terre. Ne pas retirer en aucun cas la broche de mise à la terre. La fiche à 3 broches doit être directement insérée dans une prise à trois trous de type mise à la terre. Ne pas brancher cette pompe sur une prise à 2 trous. Remplacer la prise à 2 trous par un disjoncteur de fuite à la terre (GFCI) installé conformément aux normes et règlements locaux. Tous les travaux électriques doivent être effectués par un électricien agréé.
10. Protéger le cordon d'alimentation de tout contact avec des objets tranchants, des surfaces chaudes, de l'huile ou des produits chimiques. Évitez le tortillement du cordon. Ne pas utiliser un cordon d'alimentation endommagé ou usé.
11. Le non-respect des consignes relatives au fonctionnement de cet appareil peut être cause d'annulation de la garantie. L'UTILISATION D'UNE POMPE ENDOMMAGÉE peut entraîner des dommages matériels, des blessures graves ou même la mort.
12. Assurez-vous que le circuit électrique de la pompe est protégé par un fusible ou disjoncteur de 15 ampères pour SWW05002TPK, SWW05002VPK, et de 20 ampères pour SWW07503TPK, SWW05001TPK, SWW05001VPK, SWW07501TPK, SWW07501VPK.
13. Ne pas utiliser le cordon d'alimentation pour soulever la pompe.
14. Bien connaître les différentes utilisations de la pompe, ses limites et les risques d'utilisation potentiels.

15. Placer la pompe sur une surface plane afin de la maintenir dans une position verticale. C'est essentiel pour assurer l'efficacité maximale de la pompe. Cela empêche également que des débris ne l'obstruent entraînant une panne prématurée de l'appareil..
16. Inspecter régulièrement la pompe et les pièces de la pompe pour vérifier que la grille d'aspiration de la pompe est débarrassée de boue, de sable et de débris. Débrancher la pompe de la source d'alimentation avant de l'inspecter.
17. Respecter toutes les normes de sécurité et tous les codes électriques locaux.
18. Le moteur de cette pompe est muni d'un protecteur thermique qui s'arrête si le moteur surchauffe. Le protecteur se réinitialise automatiquement une fois que le moteur est refroidi et qu'une température acceptable est atteinte. La pompe peut démarrer de manière inattendue si l'appareil est branché.
19. Vérifier que la source d'alimentation électrique satisfait les exigences pour cette pompe..
20. Cette pompe est fabriquée de matériaux à haute résistance mécanique et résistant à la corrosion. La durée de vie de la pompe est prolongée lorsqu'elle est correctement installée, utilisée et entretenue. Cependant, une alimentation électrique insuffisante, des saletés ou des débris peuvent provoquer une panne de la pompe. Veuillez lire attentivement ce manuel et suivre les instructions relatives aux mesures correctives à prendre pour résoudre des problèmes communs.

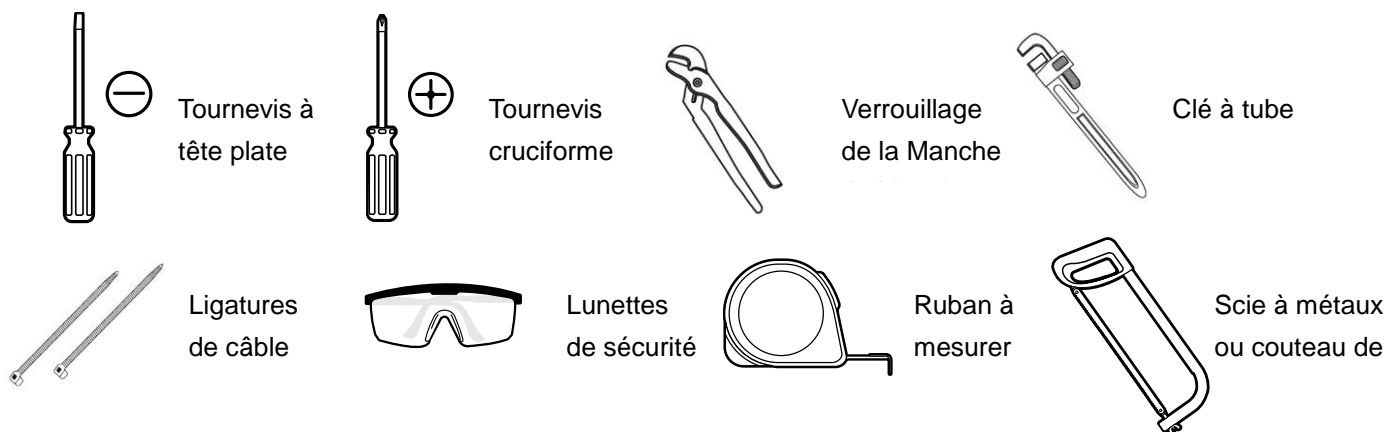
AVANT L'INSTALLATION

UTILISATION

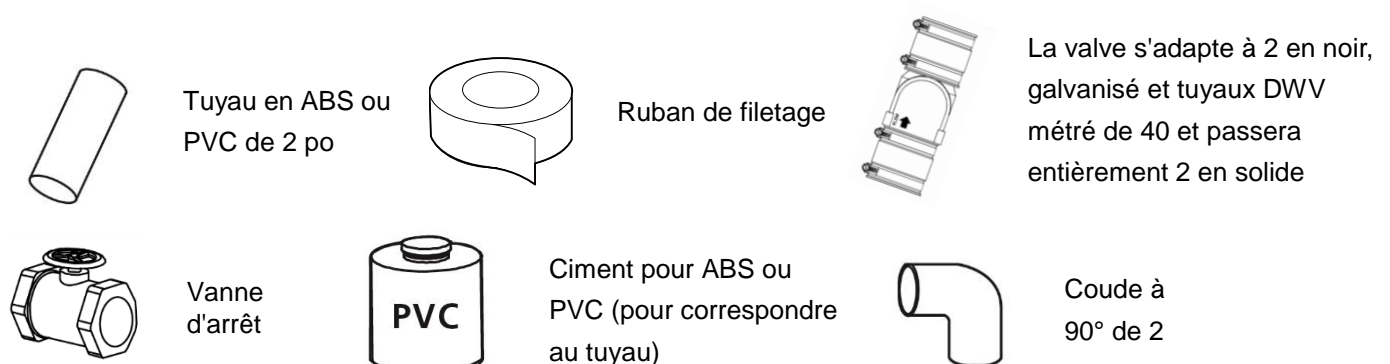
pompes submersibles et conçues pour le pompage des eaux usées, des effluents, des eaux résiduaires ou de l'eau d'inondations jusqu'à 2 pouces fermes.

Elle est munie d'un dispositif de protection thermique et d'un dispositif de réarmement automatique. Elle est également munie d'un cordon d'alimentation de 10 pieds à fiche de mise à la terre à trois (3) broches interrupteur de style ferroutage pour un fonctionnement automatique ou manuel. Les roulements à billes que comportent les arbres de moteur ne nécessitent aucune lubrification.

OUTILS REQUIS



MATÉRIAUX REQUIS (NON INCLUS)



CARACTÉRISTIQUES

Alimentation électrique	SWW05002TPK/ SWW05002VPK : Circuit de 115V, 60 HZ., 15 ampères SWW07503TPK/SWW05001TPK/SWW05001VPK/SWW07501TPK/SWW07501VPK: Circuit de 115V, 60 HZ., 20 ampères
Plage de températures du liquide	De 32°F à 131° F (de 0°C à 55°C)
Taille de l'entrée de la pompe	2 po FNPT
Puisard	Minimum 18 in. (457 mm) de diamètre, 24 in. (609 mm) de profondeur (SWW07503TPK SWW05001VPK SWW07501VPK SWW05001TPK SWW07501TPK SWW05002TPK); Minimum 14 in. (355 mm) de diamètre, 18 in. (457 mm) de profondeur SWW05002VPK)

AVIS: Lire attentivement cette Notice d'utilisation pour l'installation, le fonctionnement et les consignes de sécurité.

INSTALLATION

AVIS: Installer la pompe sur une surface plane et dure (ciment, asphalte, béton etc.). Ne jamais poser la pompe à même la terre, sur de l'argile ou du gravier.

Tu yauterie – réseau d'égouts (matières solides de 5,1 cm (2 po) ou moins)

Les tuyauteries ne peuvent en aucun cas être de diamètre inférieur au matériau que refoule la pompe. Lorsqu'elle est installée dans un réseau d'égouts, il faut que la tuyauterie puisse évacuer des semisolides d'au moins 5,1 cm (2 po) de diamètre. L'écoulement dans le tuyau d'évacuation doit permettre à tous solides de demeurer en suspension dans le liquide. Pour assurer l'écoulement minimum imposé, the minimum dimension de la pipe est 2 po.

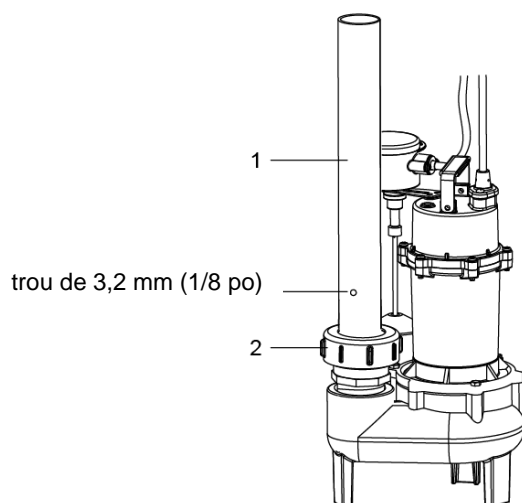
Utiliser un clapet de non-retour de 5,1 cm (2 po) dans le tuyau d'évacuation pour éviter que le liquide ne refoule dans le bassin du puisard. Le clapet de non-retour devrait constituer une valve à écoulement libre laissant passer les solides.

AVIS: Pour optimiser le rendement du clapet de non-retour en présence de matières solides, assurez-vous que l'orifice de refoulement ne se trouve pas à un angle de plus de 45° par rapport à l'horizontale. N'installez pas le clapet de non-retour à la verticale afin d'éviter que des matières solides s'y accumulent et en empêchent l'ouverture au démarrage de la pompe.

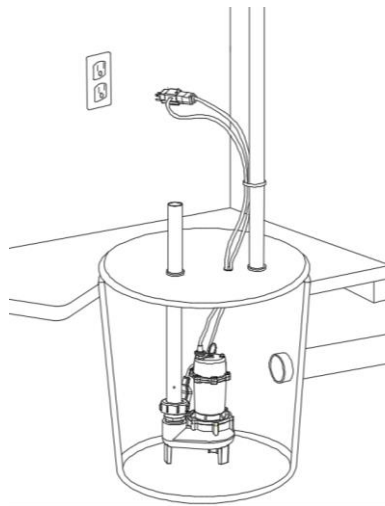
Percez un trou de 3,2 mm (1/8 po) dans le tuyau de décharge à environ 2,5 - 5,1 cm (1 po-2 po) au-dessus du connecteur rapide. La perforación debe colocarse en la fosa.

TUYAU A CONNEXION RAPIDE :

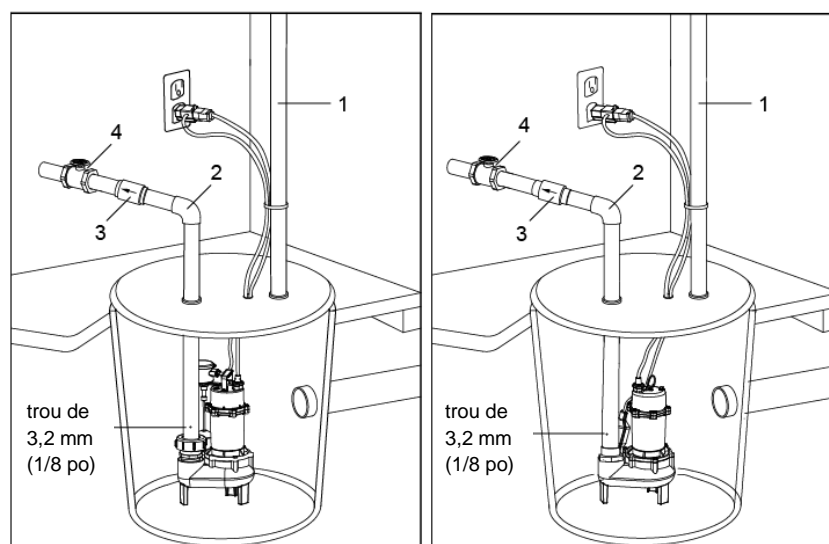
1. Insérez 2 pouces du tuyau d'évacuation (1) avec trou d'aération dans le raccord rapide (2). Serrez à la main l'écrou de moletage du connecteur rapide aussi serré que possible.



- Placer la pompe en toute sécurité sur une surface solide comme un bloc de ciment dans le bassin.



- Connectez le tuyau de refoulement (1) au coude (2), au clapet anti-retour (3) et à la vanne d'arrêt (4). Branchez la fiche de l'interrupteur dans une prise de courant 115 V à DDFT.



électricité

AVERTISSEMENT: Risque de secousses électriques. Pouvant causer des brûlures, voire la mort. Lors de l'installation, du fonctionnement de la pompe ou lors d'une intervention sur la pompe, suivre scrupuleusement les instructions ci-dessous:

- NE PAS épisser le cordon d'alimentation.
- NE PAS immerger le connecteur du cordon d'alimentation.
- NE PAS utiliser de rallonges. Elles constituent un danger d'incendie et peuvent réduire la tension de manière suffisante pour empêcher le pompage ou endommager la pompe.
- NE PAS manipuler la pompe ou intervenir sur la pompe lorsqu'elle est branchée.
- NE PAS retirer la broche de mise à la masse du connecteur ou modifier celui-ci. Pour assurer la protection contre l'électrocution, le cordon d'alimentation est un conducteur à trois fils et comporte un connecteur à trois broches avec prise de terre. Brancher la pompe dans une prise à 3 fils, raccordée à la masse. Connecter la pompe en accord avec les codes électriques en vigueur.

Pour le fonctionnement automatique, brancher le connecteur de la pompe ou brancher ses fils directement à un interrupteur automatique à flotteur. La pompe fonctionnera de façon permanente lorsqu'elle sera reliée à une prise de

courant. Brancher le connecteur ou directement les fils de la pompe sur circuit de dérivation individuel spécifique, libre de tout autre équipement ou prise de courant.

Sélectionner fusibles ou disjoncteur en fonction du tableau ci-dessous.

Données sur les fusibles

Modèle	CV	Tension	Circuit de dérivation individuel requis (en ampères)
SWW05002TPK/SWW05002VPK	1/2	115	15
SWW07503TPK	3/4	115	20
SWW05001TPK/SWW05001VPK	1/2	115	20
SWW07501TPK/SWW07501VPK	3/4	115	20

OPÉRATION

AVERTISSEMENT : Évitez de manipuler cette pompe et d'en brancher ou d'en débrancher le cordon d'alimentation lorsque vous avez les mains mouillées ou que vous êtes dans l'eau, à moins de vous être assuré au préalable que le courant alimentant la pompe était coupé. Rappelez-vous que la pompe doit être branchée uniquement dans une prise convenablement mise à la terre et munie d'un disjoncteur de fuite à la terre.

1. Assurez-vous que la pompe est immergée. La marche à sec de la pompe peut endommager le joint d'arbre.
2. Branchez la fiche du cordon d'alimentation de la pompe à l'arrière de la fiche du cordon de l'interrupteur à flotteur. Branchez la fiche du cordon de l'interrupteur à flotteur dans une prise de courant 115 V à DDFT.
3. Après la mise sous tension de la pompe, testez la pompe:
 - a. Remplissez le bassin au-dessus de la hauteur de fonctionnement ON de la poire de niveau. La pompe doit commencer le pompage.
 - b. La pompe doit pomper l'eau jusqu'au dessous de sa hauteur de fonctionnement OFF de la poire de niveau et puis arrêter le pompage.
 - c. Si l'eau draine de nouveau dans le bassin et redémarre la pompe, assurez-vous que le clapet anti-retour est correctement installé et fonctionne. Assurez-vous également que tous les raccords de tuyauterie sont étanches.
4. Le moteur est muni d'un dispositif de protection thermique à réarmement automatique. Si le moteur surchauffe, le dispositif de protection thermique arrête la pompe pour éviter qu'elle s'endommage. Lorsque le moteur a suffisamment refroidi, le dispositif de protection thermique se réarme, et le moteur redémarre.

AVIS: Si le dispositif de protection thermique arrête la pompe à plusieurs reprises, débranchez la pompe et tentez de déterminer la cause du problème. La surchauffe du moteur peut être attribuable à une tension trop basse, à l'utilisation d'une rallonge trop longue, au colmatage de la turbine, à la présence de débris dans le filtre ou à la température trop élevée de l'eau.

Entretien

MISE EN GARDE: Toujours utiliser la poignée pour soulever la pompe. Ne jamais utiliser le cordon d'alimentation pour la soulever. Pour éviter les brûlures de la peau, débranchez la pompe et la laisser refroidir après une longue période d'utilisation.

À faire

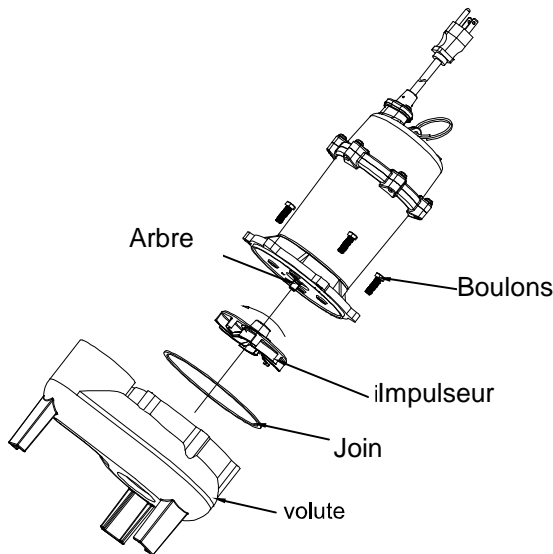
- Lorsque le courant est coupé, vérifier la grille d'aspiration de la pompe et débarasser tous les débris. Rebrancher la pompe dans une prise équipée d'un disjoncteur avec fuite à la terre. (GFCI)

À ne pas faire

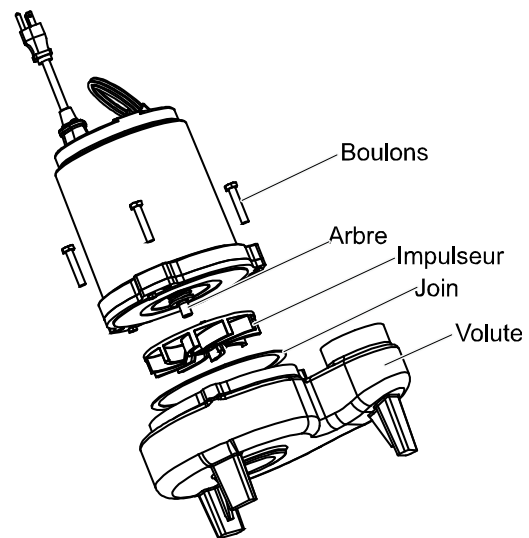
- Ne pas démonter le boîtier du moteur. Les pièces internes du moteur ne sont pas réparables. Le démontage peut entraîner des fuites ou des problèmes dangereux relatifs aux raccordements électriques.
- Ne pas utiliser le cordon d'alimentation pour soulever la pompe.

Pour SWW05002TPK, SWW05002VPK, SWW05001VPK, SWW07501VPK, SWW05001TPK, SWW07501TPK

- Avant de retirer la pompe du bassin pour le service, toujours couper l'alimentation électrique à la pompe et à l'interrupteur de commande.
- Immergez la pompe dans une solution désinfectante (eau de Javel) pendant au moins une heure avant de démonter la pompe.
- Dévissez les vis en acier inoxydable et enlevez la Volute/ joint d'étanchéité
- Utilisez un tournevis plat pour retenir l'arbre, puis tournez la turbine dans le sens antihoraire pour la dégager.
- Nettoyez les débris se trouvant autour de l'arbre et sur ou sous la turbine.
- Remontez la pompe.



SWW05002TPK/ SWW05002VPK



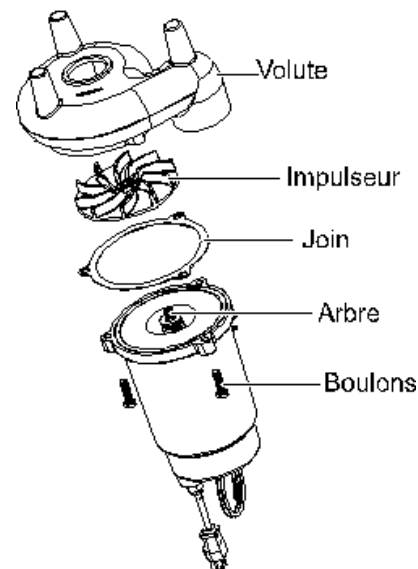
SWW05001TPK/SWW05001VPK/SWW07501TPK/SWW07501VPK

Pour SWW07503TPK

- Avant de retirer la pompe du bassin pour le service, toujours couper l'alimentation électrique à la pompe et à l'interrupteur de commande.
- Immergez la pompe dans une solution désinfectante (eau de Javel) pendant au moins une heure avant de démonter la pompe.
- Mettez la pompe à l'envers.

Remarque: La pompe est remplie d'huile, ne pas incliner la pompe pour annuler la fuite d'huile.

- Dévissez les vis en acier inoxydable et enlevez la Volute/ joint d'étanchéité
- Utilisez un tournevis plat pour retenir l'arbre, puis tournez la turbine dans le sens antihoraire pour la dégager.
- Nettoyez les débris se trouvant autour de l'arbre et sur ou sous la turbine.
- Remontez la pompe



Diagnostic des pannes

Ne démontez pas le boîtier du moteur. Le moteur ne comporte AUCUNE pièce interne réparable. Toute tentative de démontage du moteur peut entraîner une fuite d'huile ou des problèmes de câblage électrique. NE soulevez PAS la pompe par le cordon d'alimentation.

Problèmes	Mesures correctives à prendre
La pompe ne fonctionne pas	<ol style="list-style-type: none"> 1. Vérifier si le cordon est bien enfoncé dans la prise de courant. 2. Vérifier si la tension est bien présente. 3. Vérifier si le niveau du liquide est suffisamment haut pour activer le contact. 4. Vérifier si le trou de ventilation de 3,2 mm (1/8 émes de pouce) du tuyau d'évacuation n'est pas bouché. 5. Vérifier un blocage de la crépine d'entrée, du rotor, du clapet de non-retour ou du tuyau d'évacuation. 6. Le disjoncteur de surcharge thermique a peut-être fonctionné. la déconnecter de la source d'alimentation pendant 30 minutes pour permettre au moteur de refroidir, puis rebrancher l'alimentation. Rechercher la cause de la surchauffe/de la surcharge.
La pompe ne vide pas le puisard	<ol style="list-style-type: none"> 1. Vérifier si toutes les valves de la valve de refoulement sont complètement ouvertes. 2. Nettoyer le tuyau d'évacuation et vérifier la valve. 3. Vérifier si la crépine d'entrée ou le rotor ne sont pas bloqués.
La pompe ne s'arrête pas de fonctionner	<ol style="list-style-type: none"> 1. Vérifier le fonctionnement et l'emplacement des contacts du flotteur. Consulter les instructions d'installation pour le contact/la commande. 2. Si la pompe est complètement hors fonctionnement ou continue à mal fonctionner, appeler le Service à la clientèle.

Garantie Limitée

CE QUE CETTE GARANTIE COUVRE

Lorsqu'il est utilisé et maintenu en utilisation normale et en conformité avec le manuel du propriétaire, votre produit K2 est garanti contre les défauts de matériaux et de fabrication pendant au moins un an (la garantie varie selon le modèle; voir encadré des informations précises sur la garantie) à partir de la date d'achat (la «Période de garantie»). Pendant la période de garantie, K2 réparera ou remplacera gratuitement votre produit, pour corriger tout défaut de produit, défaut de matériaux ou de fabrication, constaté après examen par K2.

Votre reçu d'achat daté est requis pour faire une réclamation au titre de la garantie.

CE QUE CETTE GARANTIE NE COUVRE PAS

Cette garantie ne couvre pas:

L'utilisation du produit pour une application non-résidentielle, une mauvaise installation et / ou entretien du produit, les dommages dûs à une mauvaise utilisation, les actes de Dieu, les dégâts imputés à la nature ou d'autres actes qui échappent au contrôle d' K2, les actes ou omissions du propriétaire, l'utilisation à l'extérieur du pays où le produit a été initialement acheté et la revente du produit par le propriétaire initial. Cette garantie ne couvre pas la collecte, la livraison, le transport ou les déplacements chez les particuliers. Toutefois, si vous envoyez votre produit à un centre de service après-vente et des garanties K2, le coût de l'expédition (aller simple) sera remboursé. Cette garantie ne couvre pas les produits achetés en dehors des États-Unis, y compris ses territoires et possessions, en dehors des États-Unis la bourse d'échange militaire et à l'extérieur du Canada. Cette garantie ne couvre pas les produits achetés chez un tiers qui n'est pas détaillant, revendeur ou distributeur agréé des produits K2.

AUTRES TERMES IMPORTANTS

Cette garantie est non transférable et ne peut être cédée. Cette garantie doit être régie et interprétée en vertu des lois de l'État du Michigan. La période de garantie ne sera pas prolongée par un remplacement ou une réparation effectuée en vertu de cette garantie. CETTE GARANTIE EST LA GARANTIE EXCLUSIVE ET LE RECOURS FOURNI PAR K2. TOUTE AUTRE GARANTIE, EXPLICITE OU IMPLICITE, Y COMPRIS LES GARANTIES DE COMMERCIALISATION OU D'ADAPTATION À UN USAGE PARTICULIER, SONT EXCLUES. EN AUCUN CAS K2 NE SERA RESPONSABLE DES DOMMAGES PARTICULIERS, INDIRECTS, ACCESSOIRES OU INDIRECTS DE QUELQUE NATURE QUE CE SOIT AU PROPRIÉTAIRE OU TOUTE PARTIE DEMANDERESSE PAR L'INTERMÉDIAIRE DU PROPRIÉTAIRE RELATIF À UN CONTRAT, UNE NÉGLIGENCE, UNE ACTION DELICTUELLE, OU UNE STRICT RESPONSABILITE VIS-À-VIS DU PRODUIT, OU PROVENANT DE TOUTE AUTRE CAUSE. Certains états ne permettent pas l'exclusion des dommages indirects et conséquemment l'exclusion ci-dessus peut ne pas vous concerner. Cette garantie vous donne des droits spécifiques. Vous pouvez également en avoir d'autres qui varient d'un état à l'autre.

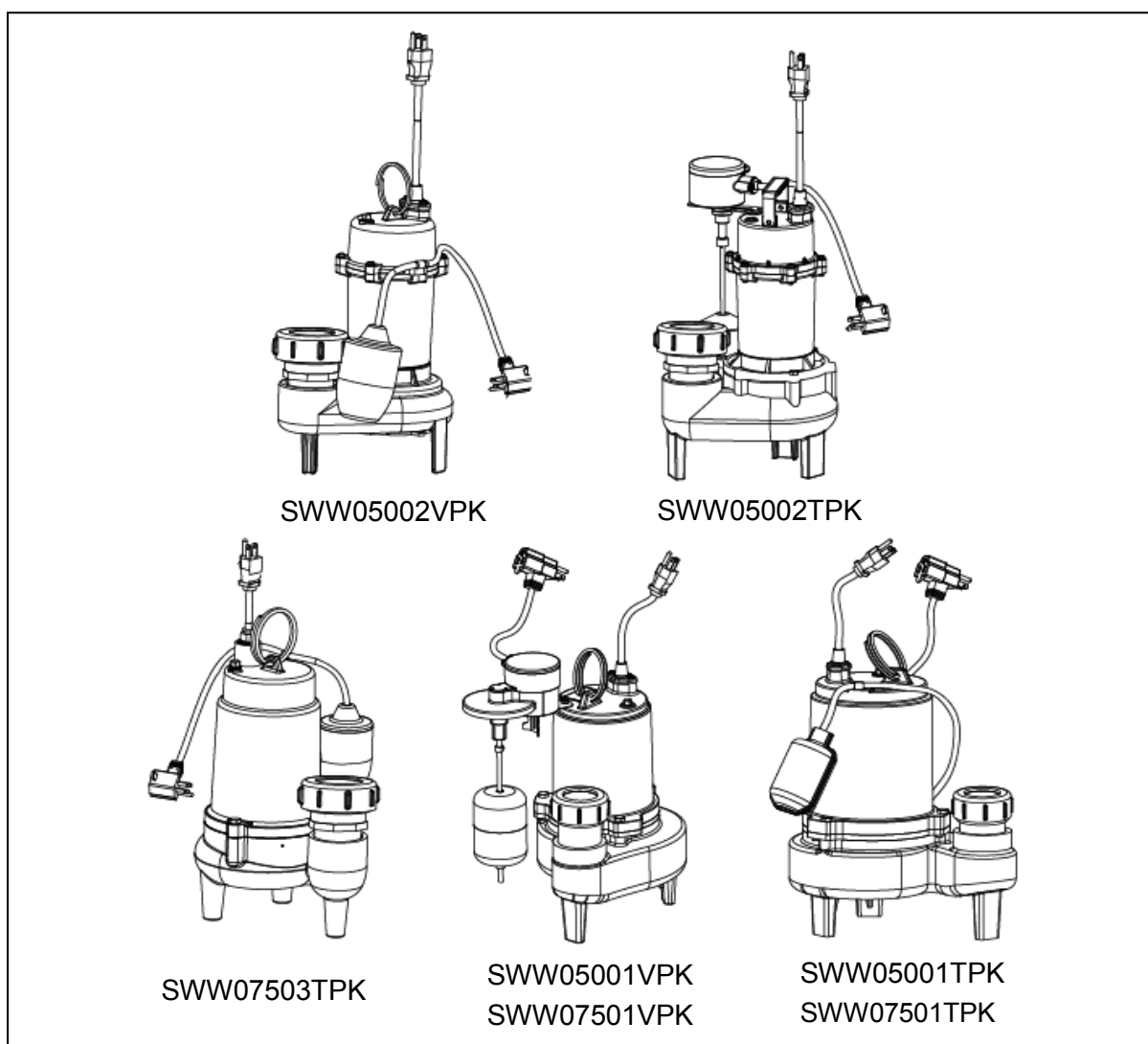
Merci d'avoir choisi un produit K2!



Modelo: SWW05002TPK/SWW05002VPK
SWW07503TPK
SWW05001TPK/SWW05001VPK
SWW07501TPK/SWW07501VPK

MANUAL DEL USUARIO

BOMBAS SUBMERGIBLES PARA EL MANEJO DE LÍQUIDOS CON SÓLIDOS



¿Preguntas, problemas, piezas que faltan? Antes de devolverla a la tienda, llame a Servicio al Cliente de 8:00 am a 6:00 pm EST de Lunes a Viernes.

1-844-242-2475

www.K2pumps.com

RENDIMIENTO

Modelo	HP	GPH (Galones por hora) de Agua @ Pies (Metros) de Altura					Máx. Levante
		0 pi.	5 pi.	10 pi.	15 pi.	20 pi.	
SWW05002TPK SWW05002VPK	1/2	6500	5000	4200	2400	/	18 pi.
SWW07503TPK	3/4	8700	7500	6000	3900	0	20 pi.
SWW05001TPK SWW05001VPK	1/2	9000	7320	5400	2700	0	20 pi.
SWW07501TPK SWW07501VPK	3/4	14000	11700	9600	6600	3900	23 pi.

INSTRUCCIONES DE SEGURIDAD

1. No bombee líquidos inflamables o explosivos como aceite, gasolina, queroseno, etc. No lo use cerca o en presencia de vapores inflamables o explosivos. El uso de este producto cerca o con líquidos inflamables puede causar una explosión o un incendio causando daños a su propiedad, lesiones personales, y/o muerte.
2. SIEMPRE desconecte la bomba antes de hacerle mantenimiento.
3. No toque el motor mientras esté funcionando. Este producto está diseñado para funcionar a altas temperaturas. No desmonte motor ni el protector del motor.
4. No use la bomba o el motor de la bomba con las manos mojadas, o cuando esté de pie sobre la superficie mojada o húmeda, o en agua.
5. Los cables de extensión no ofrecen suficiente voltaje al motor de la bomba. Los cables de extensión pueden presentar un peligro para la seguridad si el material de aislamiento se daña o si las puntas de conexión caen en el agua. El uso de un cable extensión no está con esta bomba NO está permitida.
6. Asegure el cable de descarga antes de empezar hacer funcionar la bomba. Un cable suelto o no asegurado puede arrebatare causando daño a personas o daños a la propiedad.
7. Descargue toda presión y desagüe toda el agua del sistema antes del mantenimiento de cualquier componente.
8. Use gafas de seguridad en todo momento que use la bomba.
9. Esta unidad está diseñada de un uso de 115 voltios (una sola fase), 60 Hz, y está equipada con un cable de 3 conductores y un enchufe de conexión de tierra (3 clavijas). NO quite el alfiler bajo ninguna circunstancia. El enchufe de conexión de tierra tiene que estar directamente y correctamente instalado en un receptáculo de conexión de tierra (3 clavijas). No use esta bomba en un receptáculo de 2 clavijas. Reemplacé el receptáculo de 2 clavijas con un receptáculo apropiado de 3 clavijas con conexión a tierra (GFCI) de acuerdo al Código Eléctrico Nacional y las ordenanzas locales. Todas las desconexiones de borse rrechas por un electricista profesional.
10. Proteja el cable eléctrico de objetos afilados, superficies calientes, aceite, y químicos. Evite enroscar los cables. No use cables dañados o desgastados.
11. El no cumplir con las instrucciones de la operación de esta unidad puede anular la garantía. EL INTENTO DE USAR UNA BOMBA DAÑADA puede resultar en daños a la propiedad, serios daños personales y/o muerte.
12. Asegúrese de que el circuito eléctrico a la bomba está protegido por una 15Amp for SWW05002TPK, SWW05002VPK, y 20Amp para SWW07503TPK, SWW05001TPK, SWW05001VPK, SWW07501TPK, SWW07501VPK, fuse o disyuntor.
13. No levante la bomba por medio del cable de alimentación.
14. Conozca de la bomba las aplicaciones, las limitaciones y los peligros potenciales.
15. Asegúrese de que la bomba esté en una base sólida para mantenerla vertical por encima de barro y tierra durante el funcionamiento para maximizar la eficiencia de la bomba y prevenir que se tape o una falla prematura.

16. Periódicamente inspeccione la bomba y los componentes del sistema para asegurar que las entradas estén libres de barro, arena y mugre. **DESCONECTE DEL ENCHUFE LA BOMBA ANTES DE INSPECCIONARLA.**
17. Siga sus códigos de seguridad eléctrica local, especialmente los del Código Eléctrico Nacional (NEC) y en el lugar de trabajo. El Acta de Seguridad y Salud Ocupacional. (OSHA).
18. El motor de la bomba tiene un protector térmico automático de reajuste que se apaga si la bomba se recalienta. Una vez que el protector térmico detecte que la bomba ha bajado de temperatura permitirá que la bomba funcione normalmente. Si la bomba está conectada puede empezar a funcionar inesperadamente.
19. Asegure que la fuente de electricidad es adecuada para los requisitos que exige la bomba.
20. Esta bomba está hecha de materiales de alta fuerza y resistentes a la corrosión. Cuando ha sido correctamente instalada no tendrá problemas de mantenimiento o de uso por mucho tiempo. Sin embargo, una conexión inadecuada de la bomba mugre o suciedad puede causar que la bomba falle. Lea cuidadosamente las instrucciones y sígalas con respecto a problemas y soluciones más comunes de la bomba.

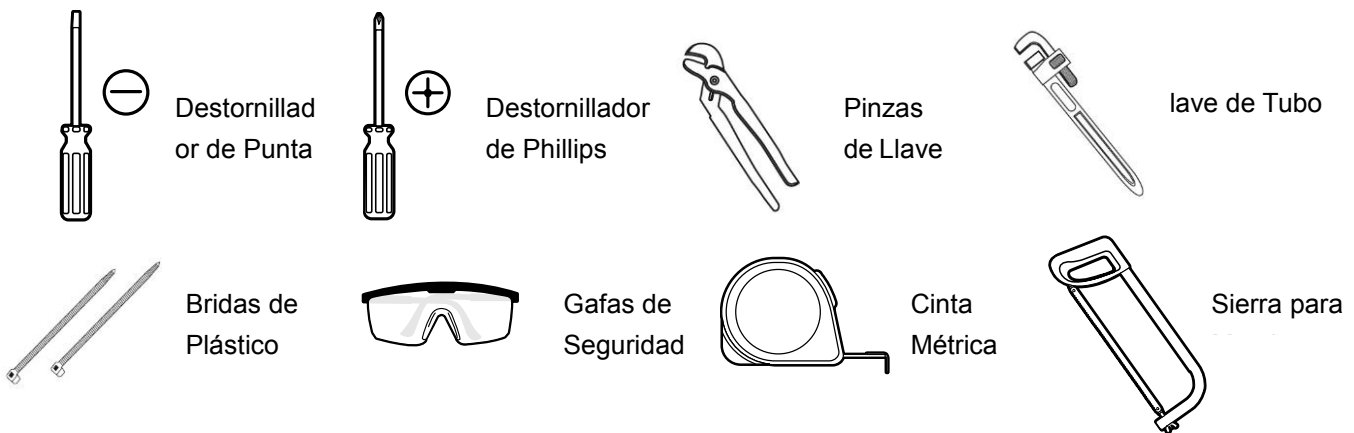
PRE-MONTAJE

APLICACIÓN

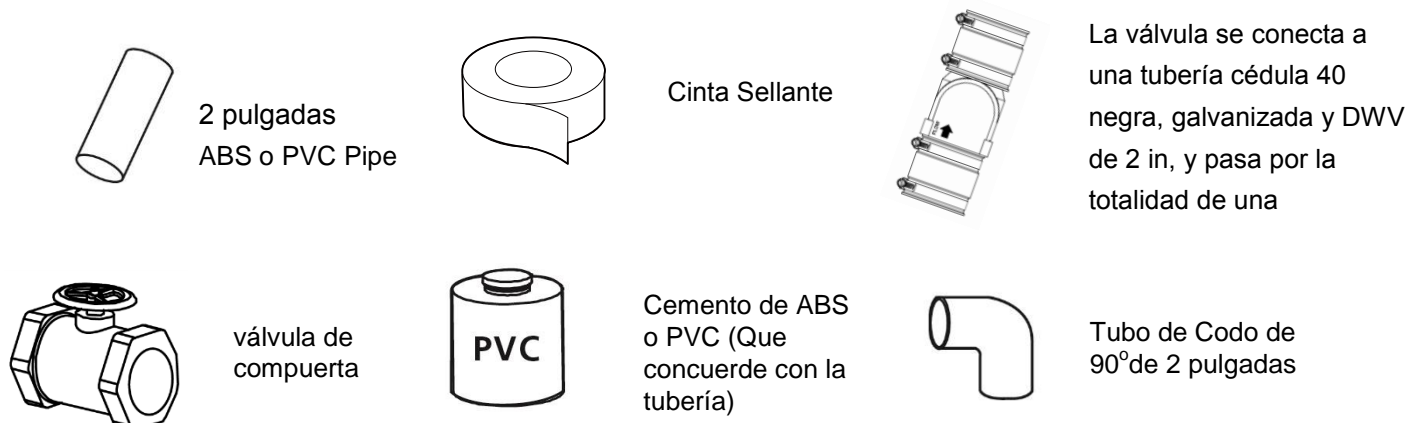
sumergibles para aguas residuales y diseñado para el bombeo de aguas residuales, efluentes, aguas residuales o agua inundada con un máximo de 2 pulgadas sólidos.

La bomba está construido con protección térmica de sobrecarga y reposición automática. La bomba está equipada con un cable de 10' de alimentación con conexión a tierra de 3 patas interruptor de tipo superpuesto para una operación automática o manual. Rodamientos de bolas en los ejes del motor nunca necesitan lubricación.

HERRAMIENTAS NECESARIAS



MATERIALES NECESARIOS (NO INCLUIDOS)



SPECIFICATIONS

Voltaje	SWW05002TPK/ SWW05002VPK : 115V,60HZ.,Circuito de 15 Amperios SWW07503TPK/SWW05001TPK/SWW05001VPK/SWW07501TPK/SWW07501VPK : 115V,60HZ.,Circuito de 20 Amperios
Rango de Temperatura de Líquido	32 a 131°F (0 a 55°C)
Tamaño del Desagüe	FNPT Hembra de 2 pg.
Colector de fango	Minimo 18 pg. (457 mm) de diámetro 24 pg. (609 mm) a fondo (SWW07503TPK SWW05001VPK SWW07501VPK SWW05001TPK SWW07501TPK SWW05002TPK); Minimo 14 pg. (355 mm) de diámetro 18 pg. (457 mm) a fondo (SWW05002VPK)

AVISO: Lea este manual de instrucciones para la instalación, operación y seguridad.

INSTALACIÓN

AVISO: Instale la bomba sobre una superficie dura y nivelada (de cemento, asfalto, etc.) Jamás instale la bomba directamente sobre superficies de tierra, arcilla o grava.

Tubería – residuos cloacales (Sólidos de 2 pulgadas o menos)

En todos los casos el diámetro de la tubería debe ser inferior al de la descarga de la bomba. Cuando se instale en un sistema cloacal, la tubería debe ser capaz de conducir semisólidos de por lo menos 2 pulgadas (5,1 cm) de diámetro. La velocidad del flujo en la tubería de descarga debe poder mantener los sólidos en suspensión en el líquido. Para mantener el caudal mínimo necesario.

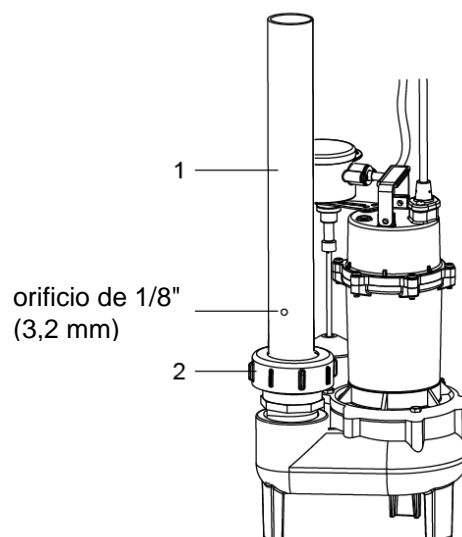
Use una válvula de retención de charnela de 2 pulgadas en la descarga de la bomba para impedir el retorno del líquido al sumidero. La válvula de retención debe ser de flujo libre para permitir que los sólidos pasen con facilidad.

AVISO: Para un mejor funcionamiento de la válvula de retención cuando maneja sólidos, no la instale con la descarga a un ángulo superior a 45 grados sobre la horizontal. No instale la válvula de retención en posición vertical, ya que los sólidos pueden depositarse en la válvula e impedir su apertura en la puesta en marcha.

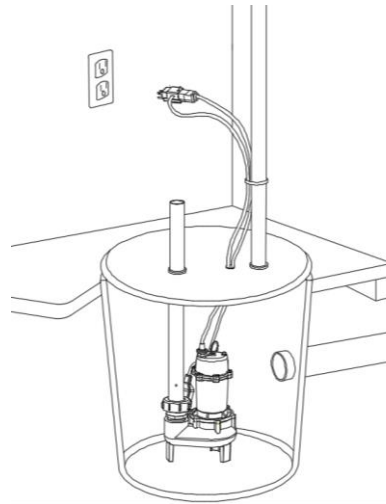
Perfore un orificio de 1/8" (3,2 mm) en una tubería de descarga de aproximadamente 1"-2" (2,5-5,1 cm) sobre el conector rápido. La perforación debe colocarse en la fosa.

CONEXIÓN RÁPIDA DE LA TUBERÍA:

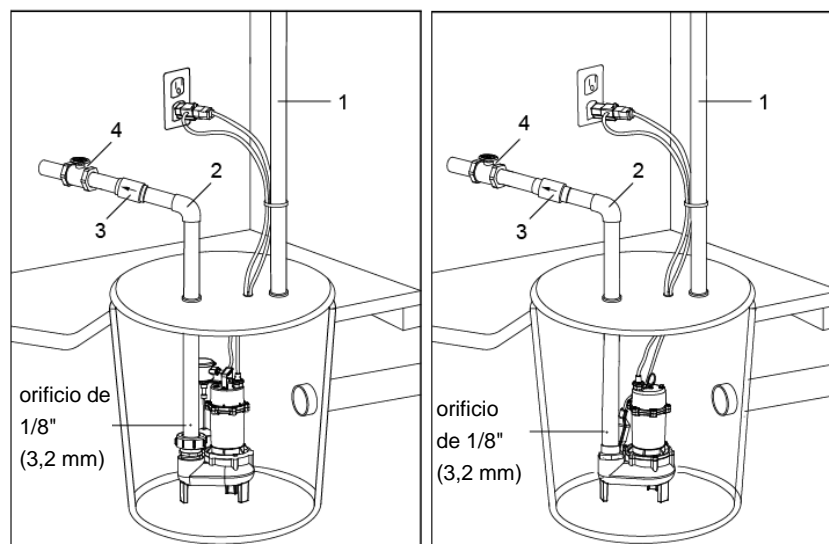
1. Inserte la tubería de descarga de 2 in (1) con el orificio de ventilación dentro del conector rápido (2). Ajuste manualmente la tuerca estriada del conector rápido lo más apretado posible.



- Coloque la bomba de forma segura en una superficie sólida, como un bloque de cemento, en la balsa.



- Conecte la tubería de descarga (1) al codo (2), la válvula de verificación (3) y la válvula de compuerta (4). Conecte el enchufe con interruptor a un tomacorriente GFCI de 115 V.



Eléctrica

ADVERTENCIA: Riesgo de choque eléctrico. Puede provocar choque, quemadura o muerte. Al instalar, operar o prestar servicios a esta bomba, respete las instrucciones de seguridad enumeradas a continuación:

- NO utilice cable con empalmes para la alimentación eléctrica.
- NO permita que el enchufe del cordón eléctrico quede sumergido.
- NO use cables de prolongación. Presentan riesgo de incendio y pueden reducir el voltaje lo suficiente como para impedir el bombeo, dañar el motor o ambas cosas.
- NO manipule o preste servicios a la bomba mientras esté conectada a la corriente eléctrica.
- NO saque la clavija (ficha) de puesta a tierra ni modifique el enchufe. Para protección contra la descarga eléctrica el cable de alimentación está constituido por un conductor de tres alambres y termina en un enchufe de tres pernos con puesta a tierra. Enchufe la bomba en un receptáculo de toma de tres alambres del tipo de puesta a tierra, con la tierra conectada. Conecte la bomba respetando los códigos de electricidad que corresponda.

Para el funcionamiento automático, enchufe o conecte la bomba a un interruptor automático de flotante. Si la bomba se conecta directamente a una toma eléctrica, funcionará en forma continua. La bomba debe conectarse a su propio un ramal individual y no deben colocarse otras tomas o equipo en ese circuito.

Los fusibles o disyuntores de circuito deben tener la capacidad que se indica en el cuadro que figura más abajo.

Información sobre fusibles

Modelo	HP	Voltaje	Requiere un ramal individual (amperios)
SWW05002TPK/SWW05002VPK	1/2	115	15
SWW07503TPK	3/4	115	20
SWW05001TPK/SWW05001VPK	1/2	115	20
SWW07501TPK/SWW07501VPK	3/4	115	20

FUNCIONAMIENTO

Advertencia: No manejar esta bomba o conectar o desconectar esta bomba con las manos mojadas o mientras está de pie en el agua, a menos que esté seguro de todo el poder se ha apagado a la bomba. Recuerde que la bomba se debe conectar únicamente a una tierra adecuada, una toma GFCI.

- 1 Asegúrese de que la bomba está sumergida en el agua. Corriendo la bomba en seco puede dañar el sello del eje. Corriendo la bomba en seco puede dañar el sello del eje.
- 2 Conecte el enchufe del cable de alimentación de la bomba en la parte trasera del enchufe del cable del interruptor flotante. Conecte el enchufe del cable del interruptor flotante a un tomacorriente GFCI de 115 V.
- 3 Después de conectar la energía a la bomba, probar la bomba:
 - a. Llenar la cuenca por encima de la operación del interruptor de flotador en la altura. La bomba debe comenzar el bombeo.
 - b. La bomba debe bombear el agua por debajo de su interruptor de flotador altura OFF operación y luego se detiene el bombeo.
 - c. Si el agua drena de nuevo en la cuenca y se reinicia la bomba, asegúrese de que la válvula de retención está correctamente instalado y funcionando. También asegúrese de que todas las conexiones de tuberías estén apretadas.
- 4 El motor está equipado con un protector térmico de sobrecarga Reiniciando automáticamente. Si el motor llega a caliente, el protector de sobrecarga se apaga la bomba antes de que se dañe. Cuando el motor se haya enfriado lo suficiente, el protector de sobrecarga Reste, y el motor se reiniciará.

Aviso: Si el protector de sobrecarga detiene la bomba varias veces la potencia de la bomba y comprobar para encontrar el problema. Bajo voltaje, una cuerda larga extensión, impulsor obstruido, pantalla bloqueada por los escombros, o agua que está demasiado caliente puede causar sobrecalentamiento del motor.

CUIDADO Y LIMPIEZA

CAUTELA: Siempre use la manilla para levantar la bomba. Nunca use el cordón o el cable eléctrico para levantar la bomba. Para evitar quemaduras, desconecte la bomba y permita un tiempo para que la bomba se enfríe después de un largo tiempo de uso.

Usted Debe Hacer lo Siguiente

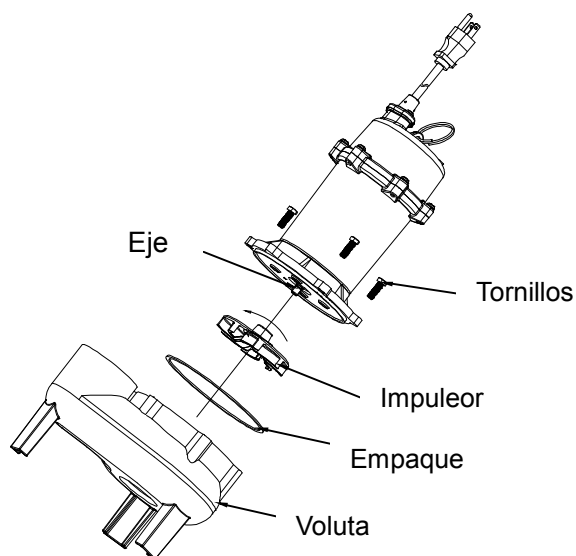
- Cuando el cable esta desconectado, inspeccione la bomba y remueva todo la mugre, en seguida conecte la bomba de nuevo a la toma con conexión a tierra (GFCI).

Usted NO Debe Hacer lo Siguiente

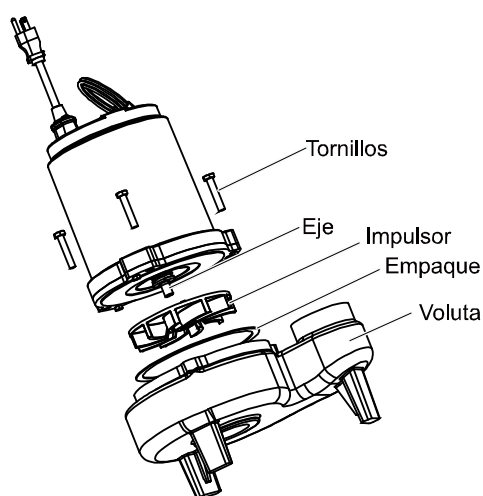
- Desarme el motor. Este motor NO tiene piezas internas reparables y el desarmarla puede causar fuga o problemas eléctricos peligrosos.
- Levantar la bomba por el cable.

Para SWW05002TPK, SWW05002VPK, SWW05001VPK, SWW07501VPK, SWW05001TPK, SWW07501TPK

- Antes de retirar la bomba de cuenca para el servicio, Siempre desconecte la alimentación eléctrica a la bomba y el interruptor de control.
- Sumergir la bomba en una solución desinfectante (blanqueador) durante al menos una hora antes de desmontar la bomba.
- Desenroscar los tornillos de acero inoxidable, eliminar la voluta/empaqué.
- Utilice un destornillador de punta plana para sostener el cambio, a continuación, gire el impulsor hacia la derecha para liberar el impulsor.
- Eliminar los restos de todo el eje y sobre/debajo del impulsor.
- Vuelva a montar la bomba.



SWW05002TPK/SWW05002VPK



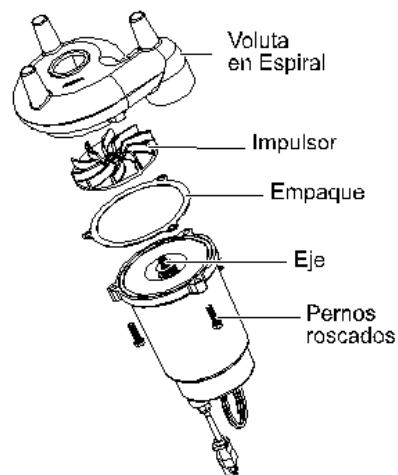
SWW05001TPK/SWW05001VPK/SWW07501TPK/SWW07501VPK

Para SWW07503TPK

- Antes de retirar la bomba de cuenca para el servicio, Siempre desconecte la alimentación eléctrica a la bomba y el interruptor de control.
- Sumergir la bomba en una solución desinfectante (blanqueador) durante al menos una hora antes de desmontar la bomba.
- Poner la bomba al revés.

NOTA: La bomba está llena de aceite, no incline la bomba para anular la fuga de aceite.

- Desenroscar los tornillos de acero inoxidable, eliminar la voluta/empaqué.
- Utilice un destornillador de punta plana para sostener el cambio, a continuación, gire el impulsor hacia la derecha para liberar el impulsor
- Eliminar los restos de todo el eje y sobre/debajo del impulsor.
- Vuelva a montar la bomba.



RESOLUCIÓN DE PROBLEMAS

No desarme el motor. Este motor NO contiene partes internas que sean reparables y el desmontarlo podría causar fugas o problemas con el cableado eléctrico de peligro.

Problema	Solución
La bomba no funciona	<ol style="list-style-type: none">1. Verifique que el cable de alimentación esté enchufado correctamente en el receptáculo.2. Asegúrese de que haya corriente eléctrica.3. Verifique que el nivel de líquido sea lo suficientemente elevado para activar el interruptor.4. Verifique que el agujero de 1/8 pulgadas (3,2 mm) en el caño de descarga no esté tapado.5. Verifique que la entrada de la bomba, el rodete, la válvula de retención o el caño de descarga no estén bloqueados.6. Es posible que the protector térmico de sobrecarga haya accionado. desconecte la bomba de la corriente eléctrica por 30 minutos para permitir que el motor se enfríe; luego vuelva a conectarla a la corriente eléctrica. Investigue la causa del sobrecalentamiento o sobrecarga.
La bomba no vacía el sumidero	<ol style="list-style-type: none">1. Asegúrese de que todas las válvulas en la tubería de descarga estén totalmente abiertas.2. Limpie el caño de descarga y verifique la válvula.3. Verifique que la entrada de la bomba o el rodete no estén bloqueados.
La bomba no se apaga	<ol style="list-style-type: none">1. Verifique que los flotantes del interruptor funcionen correctamente y tengan la ubicación adecuada. Consulte las instrucciones de instalación del interruptor o control automático.2. Si la bomba no funciona en absoluto o continúa funcionando con fallas, llame a línea de atención

GARANTÍA

Garantía Limitada

LO QUE CUBRE ESTA GARANTÍA

Cuando se usa y se mantiene de forma normal y de acuerdo con el manual del propietario, su producto K2 está garantizado contra defectos de materiales y de mano de obra durante al menos un año (la garantía varía según el modelo; revise la caja para obtener información específica sobre la garantía) a partir de la fecha de comprar (el "Período de Garantía"). Durante el Período de Garantía, K2 reparará o reemplazará sin costo alguno para usted, para corregir cualquier defecto de materiales o de mano de obra encontrado en los productos al ser examinados por K2.

Se requiere el recibo de compra fechado para hacer un reclamo de garantía.

LO QUE NO CUBRE ESTA GARANTÍA

Esta garantía no cubre:

El uso del producto en un ambiente no residencial, instalación incorrecta y/o mantenimiento incorrecto del producto, daño a causa del uso indebido, actos sobrenaturales, actos de la naturaleza, vandalismo u otros actos fuera del control de K2, acciones u omisiones del propietario, el uso fuera del país en el que el producto fue comprado inicialmente y la reventa del producto por el propietario inicial. Esta garantía no cubre el recogido, el envío, la transportación o las reparaciones en casa. Sin embargo, si usted manda su producto por correo al departamento de ventas y servicios de K2 para servicios que cubre la garantía, el costo del envío será pagado únicamente de ida. Esta garantía no se aplica a productos comprados fuera de los Estados Unidos, incluyendo sus territorios y posesiones, fuera del Intercambio Militar de los Estados Unidos y fuera de Canadá. Esta garantía no cubre productos comprados por distribuidor, comerciante o concesionario no autorizado por K2.

OTROS TÉRMINOS IMPORTANTES

Esta garantía no es transferible ni podrá ser asignada. Esta garantía será gobernada e interpretada bajo las leyes del estado de Michigan. El Período de Garantía no será extendido por ningún reemplazo ni reparación realizado bajo esta garantía. **ESTA GARANTÍA ES LA GARANTÍA Y RECURSO PROVISTO POR K2. TODAS LAS DEMÁS GARANTÍAS, EXPLÍCITAS O IMPLÍCITAS, INCLUYENDO GARANTÍAS O COMERCIABILIDAD O QUE SEA ACOPLADA PARA ALGÚN PROPOSITO EN PARTICULAR, SON DENEGADAS. EN NINGÚN CASO K2 SERÁ RESPONSABLE POR CUALQUIER DAÑO ESPECIAL, INDIRECTO, INCIDENTAL O CONSECUENTE DE CUALQUIER TIPO O ÍNDOLE AL PROPIETARIO O CUALQUIER INDIVIDUO HACIENDO LA RECLAMACION POR EL PROPIETARIO YA SEA BASADO EN CONTRATO, NEGLIGENCIA, AGRAVIO O ESTRUCTA RESPONSABILIDAD DEL PRODUCTO O QUE SE DERIVE DE ALGUN OTRO TIPO DE CAUSA.** Algunos estados no permiten la exclusión de daños consecuentes. Así que la exclusión antes mencionada podría no ser aplicable a usted. Esta garantía le ofrece derechos **específicos**. Usted también podría tener otros que varíen de estado a estado.

¡Gracias por elegir un producto K2!

